

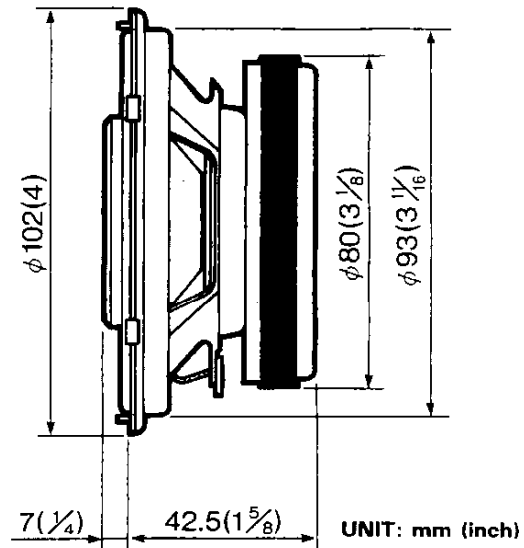
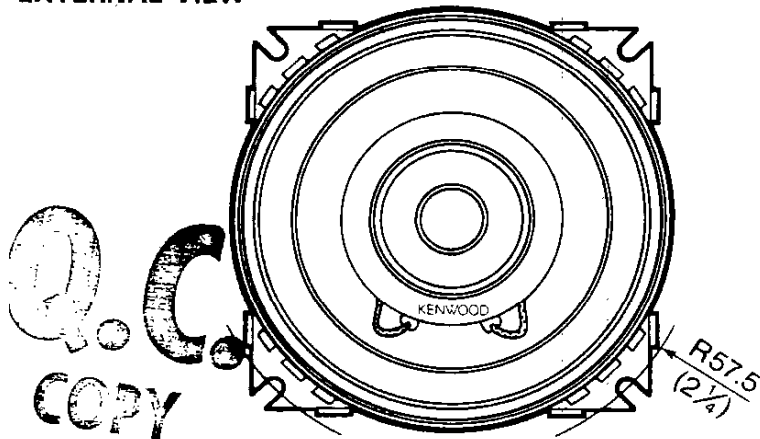
KFC-107E

SERVICE MANUAL

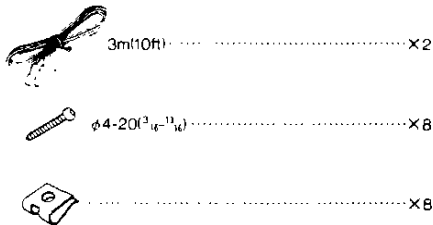
KENWOOD

©1989-10 PRINTED IN JAPAN
B51-6108-00(T)1195

EXTERNAL VIEW



PARTS INCLUDED



PARTS LIST

★ New parts
 Parts without **Parts No.** are not supplied.
 Les articles non mentionnés dans le **Parts No.** ne sont pas fournis.
 Teile ohne **Parts No.** werden nicht geliefert.

Ref No.	New Parts	Parts No.	Description
		E30-1238-08.	CORD SET
		N99-1088-08	SCREW SET
		T15-0127-08	SPEAKER

SPECIFICATIONS

Speakers	
Woofer	10cm(4in) Water proof treatment cone type 167g(5.9oz) Magnet
Tweeter	4cm(1 5/16in) cone type
Peak Power	45 Watts
Frequency Response	60Hz~21,000Hz
Sensitivity	90dB/W at 1m
Impedance	4ohms
Weight per speaker	0.57kg(11lb 4oz)/pc

(KENWOOD follows a policy of continuous advancements in development.
 For this reason specifications may be changed without notice.)

KENWOOD CORPORATION

Shinogi Shibuya Building, 17-5, 2-chome Shibuya, Shibuya-ku, Tokyo 150, Japan

KENWOOD U.S.A. CORPORATION

2201 East Dominguez Street, Long Beach, CA 90810,
 550 Clark Drive, Mount Olive, NJ 07828, U.S.A

KENWOOD ELECTRONICS CANADA INC.

P.O. BOX 1075, 959 Gene Court, Mississauga, Ontario, Canada L4T 4C2

TRIO-KENWOOD U.K. LTD.

KENWOOD House, Dwight Road, Watford, Herts. Wd1 8eb United Kingdom

KENWOOD ELECTRONICS BENELUX N.V.

Mechelsesteenweg 418 B-1930 Zaventem, Belgium

KENWOOD ELECTRONICS DEUTSCHLAND GMBH

Rembrucker-Str. 15, 6056 Heusenstamm, West Germany

TRIO-KENWOOD FRANCE S.A.

13 Boulevard Ney 75018 Paris, France

KENWOOD LINEAR S.p.A.

20123, MILANO-VIA ARBE, 50 ITALY

KENWOOD ELECTRONICS AUSTRALIA PTY, LTD. (INCORPORATED IN NSW)

4E Woodcock Place, Lane Cove, N.S.W. 2066, Australia

KENWOOD & LEE ELECTRONICS, LTD.

Wang Kee Building, 4th Floor 34-37, Connaught Road, Central, Hong Kong